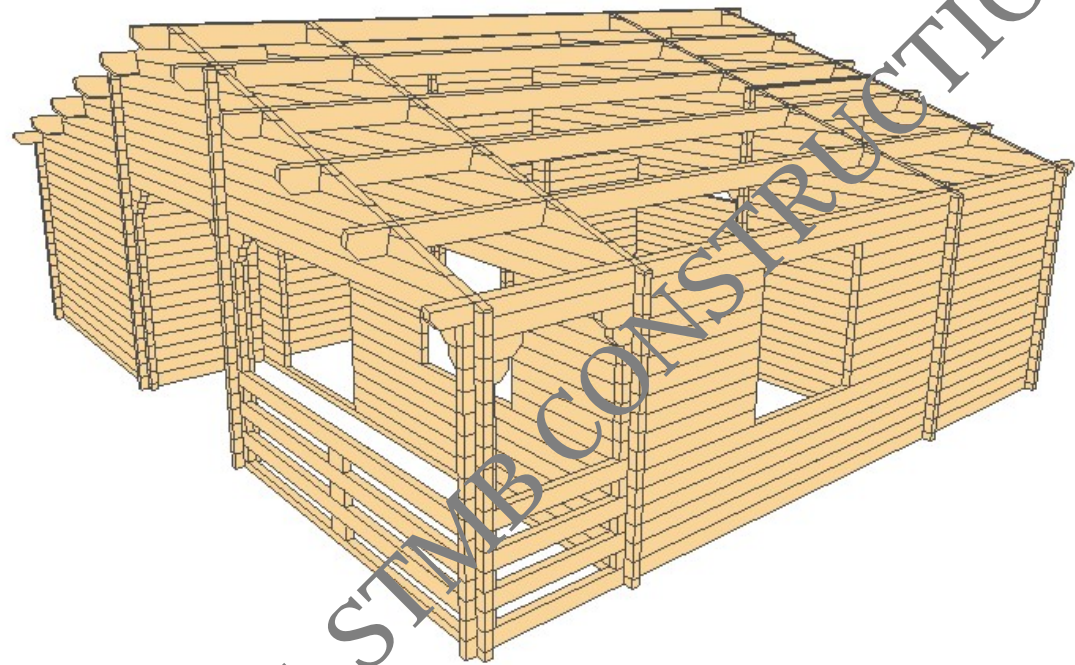
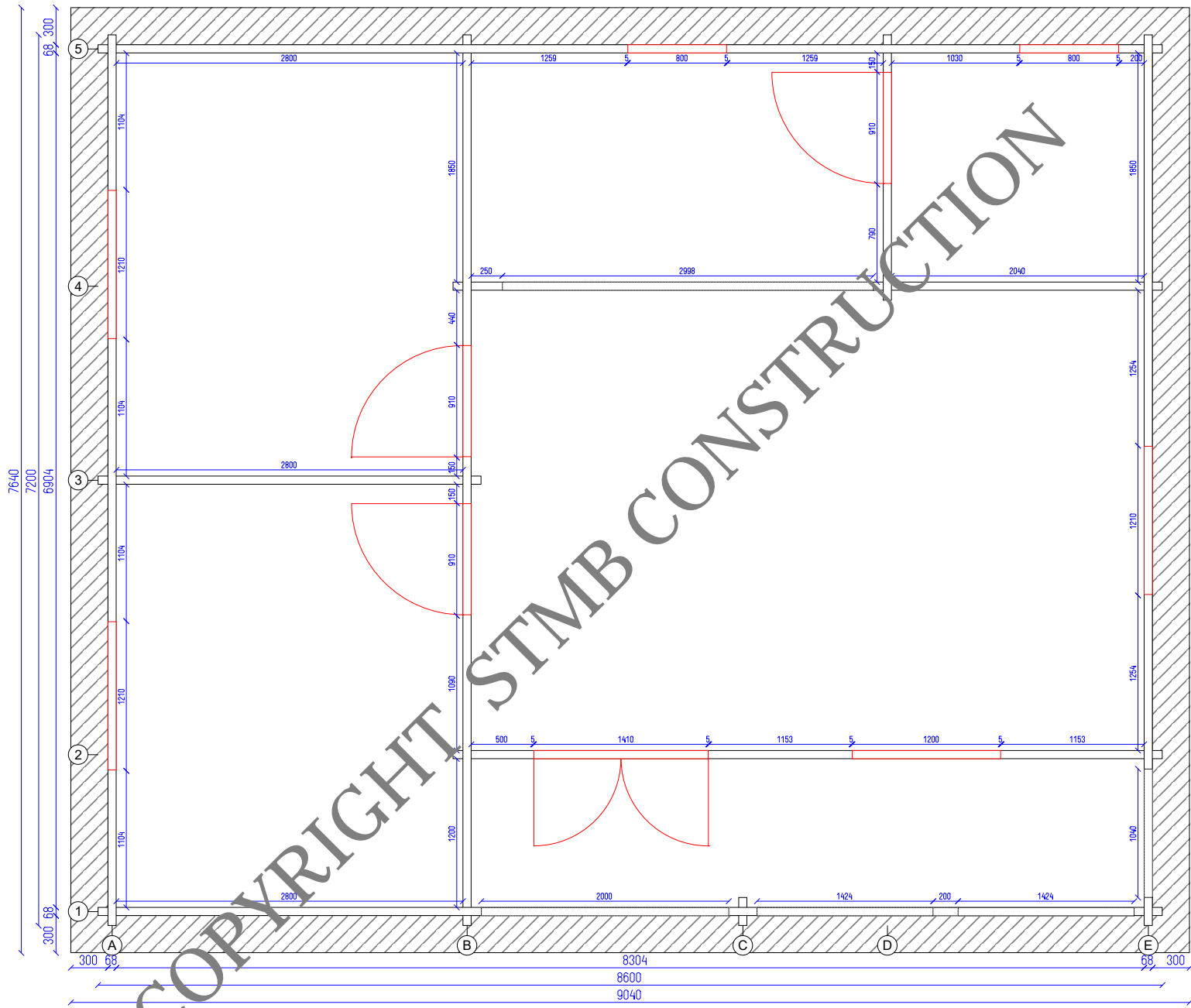


COPYRIGHT STMB CONSTRUCTION

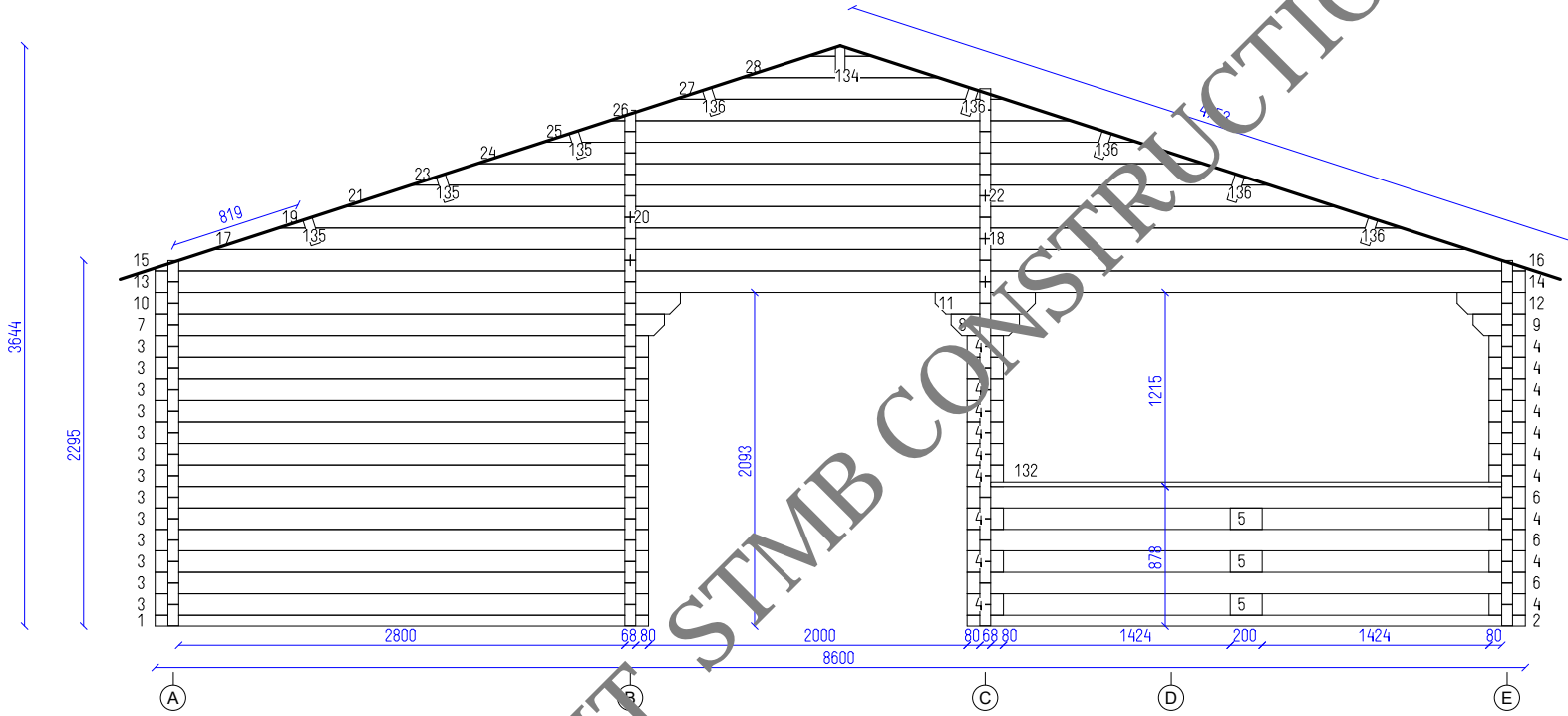


	DAX_68mm	
	Sheet 1	Of 13

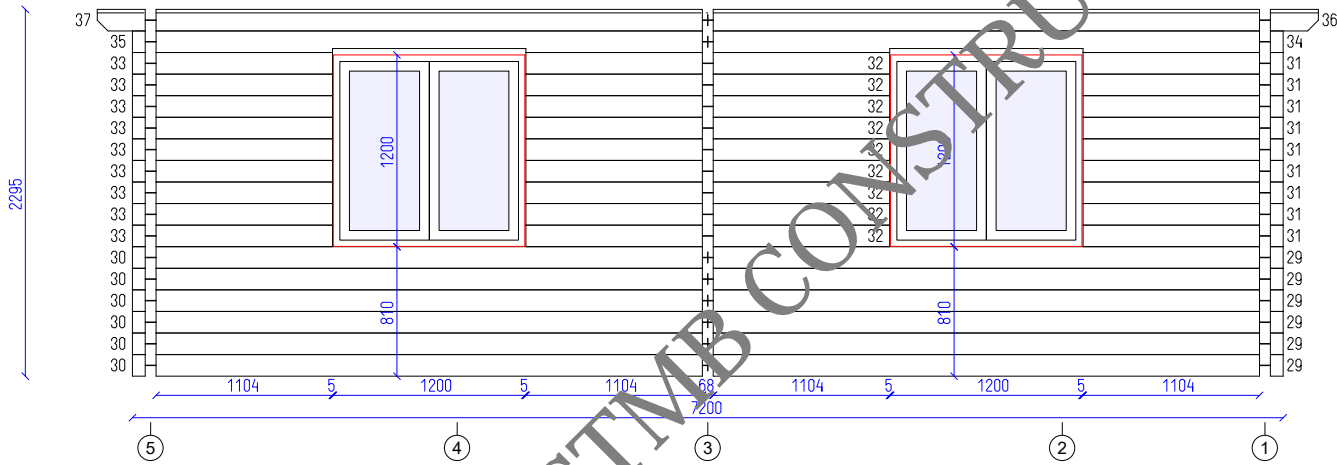


COPYRIGHT STMB CONSTRUCTION

DAX_68mm		
Ground plan	Sheet 2	Of 13

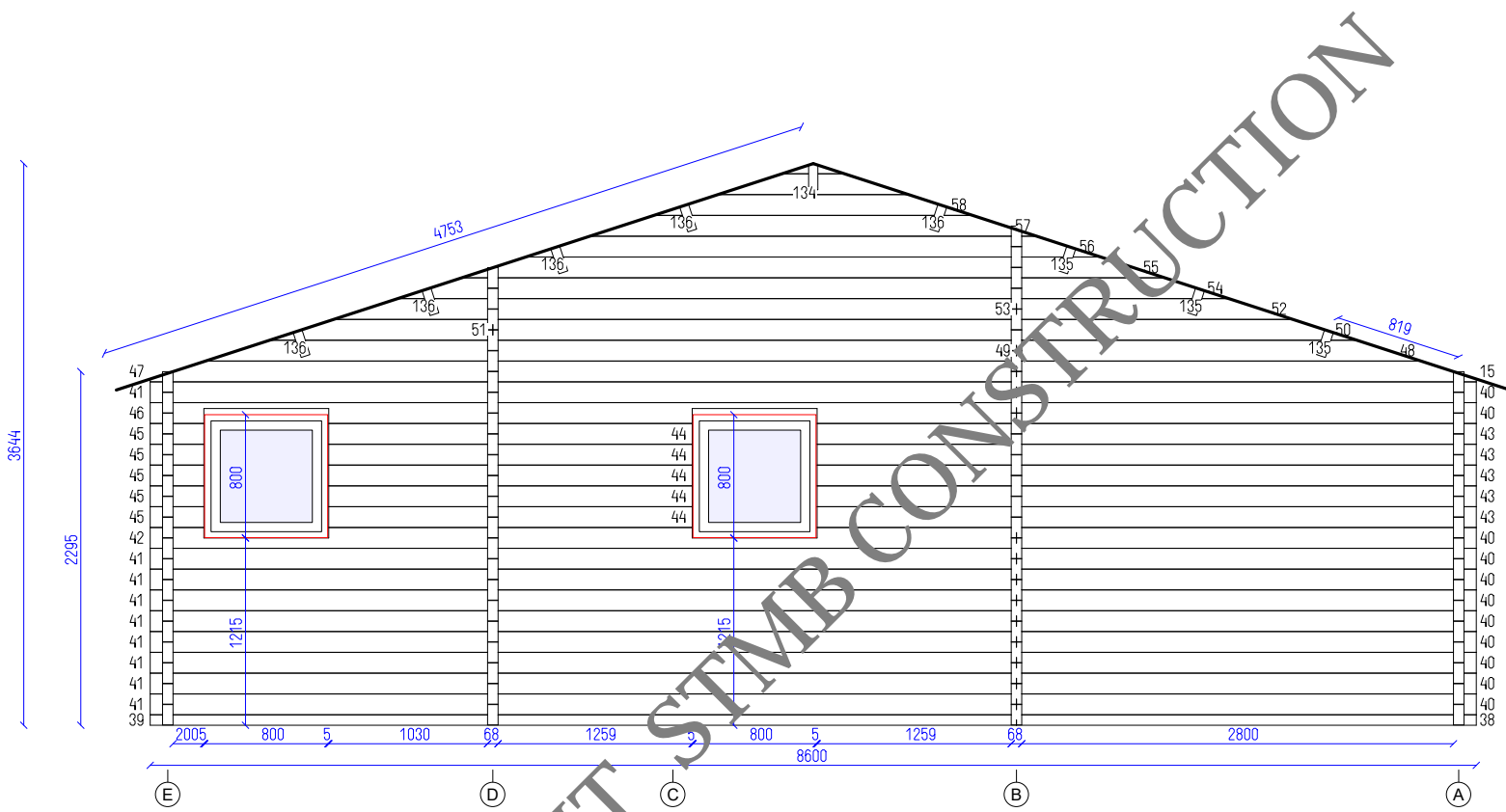


DAX_68mm		
Wall 1	Sheet 3	Of 13

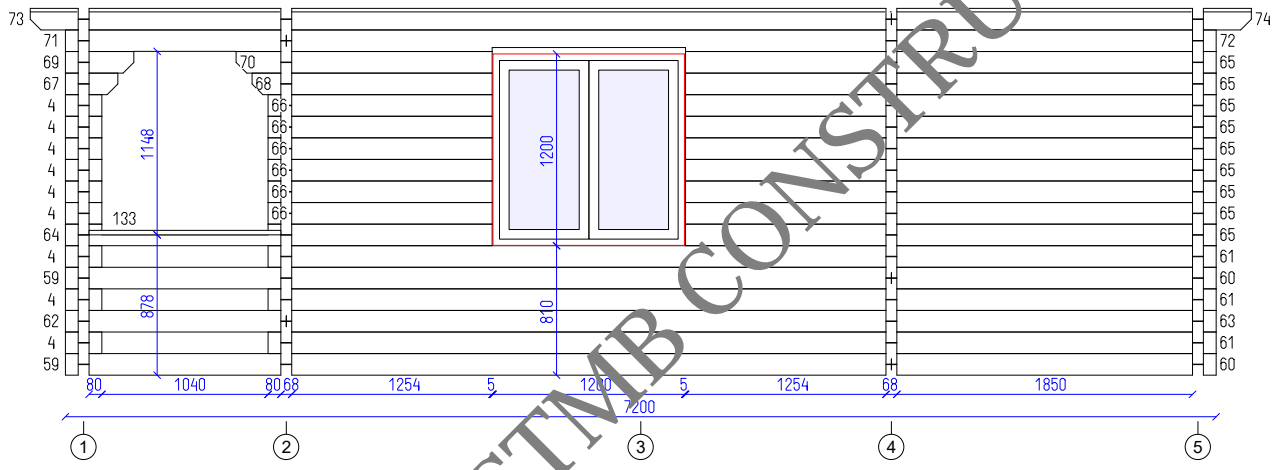


COPYRIGHT STMB CONSTRUCTION

DAX_68mm		
Wall A	Sheet 4	Of 13



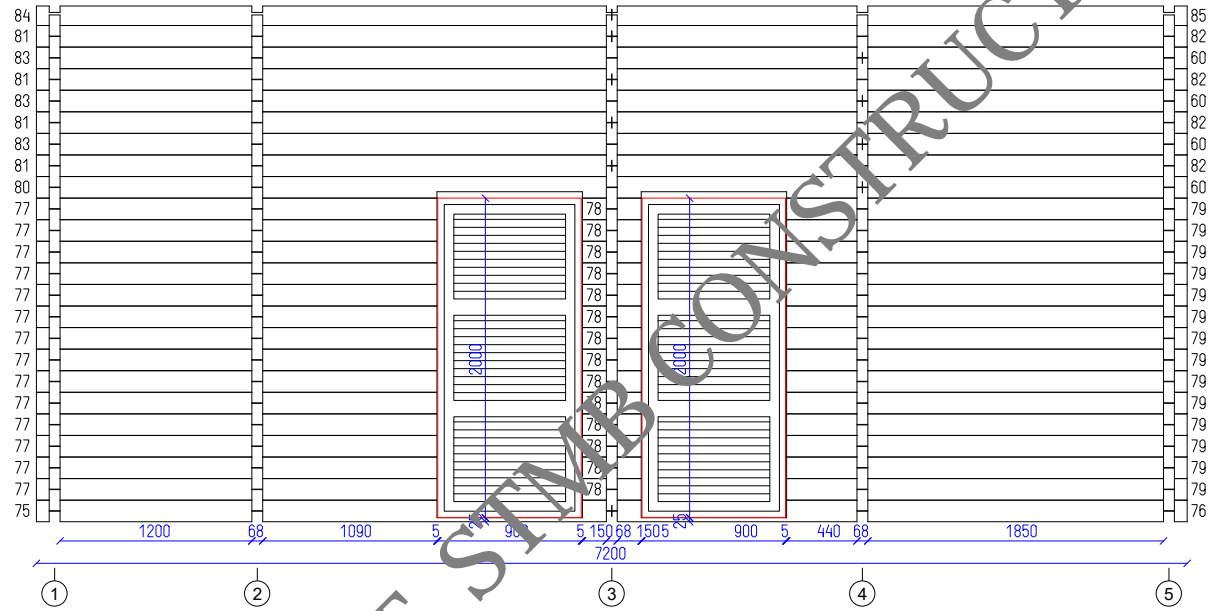
DAX_68mm		
Wall 5	Sheet 5	Of 13



COPYRIGHT STMB CONSTRUCTION

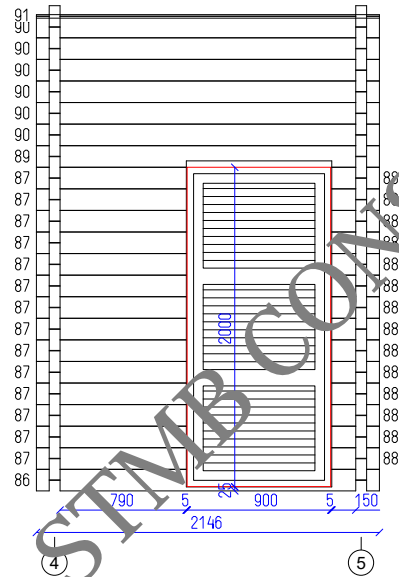
DAX_68mm		
Wall E	Sheet 6	Of 13

COPYRIGHT SIMB CONSTRUCTION



DAX_68mm		
Wall B	Sheet 7	Of 13

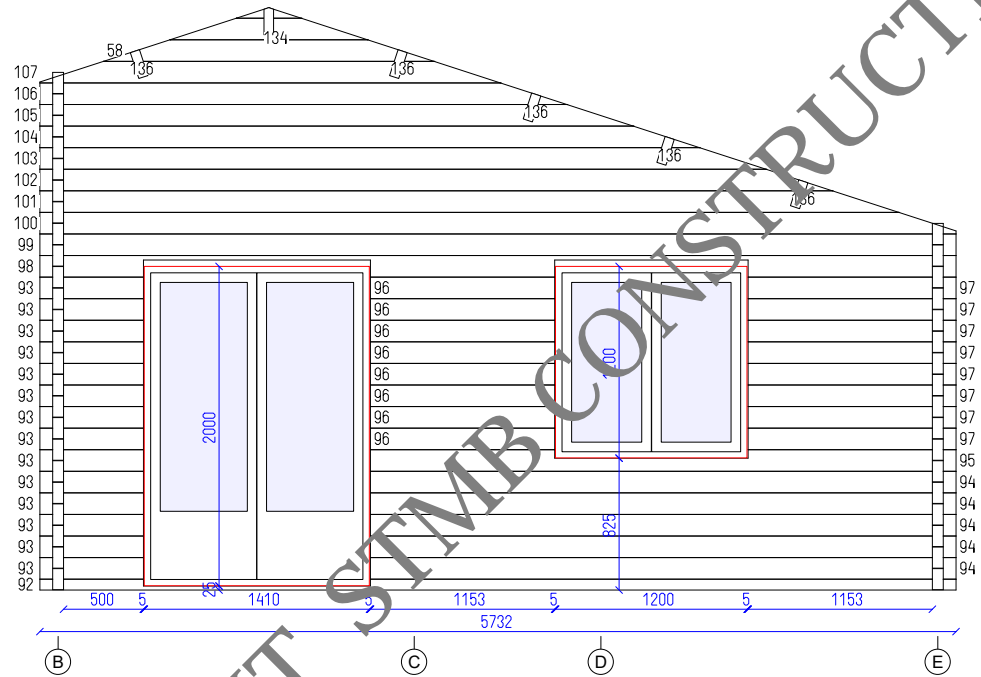
COPYRIGHT SIMB CONSTRUCTION



	DAX_68mm		
Wall D	Sheet 8	Of 13	

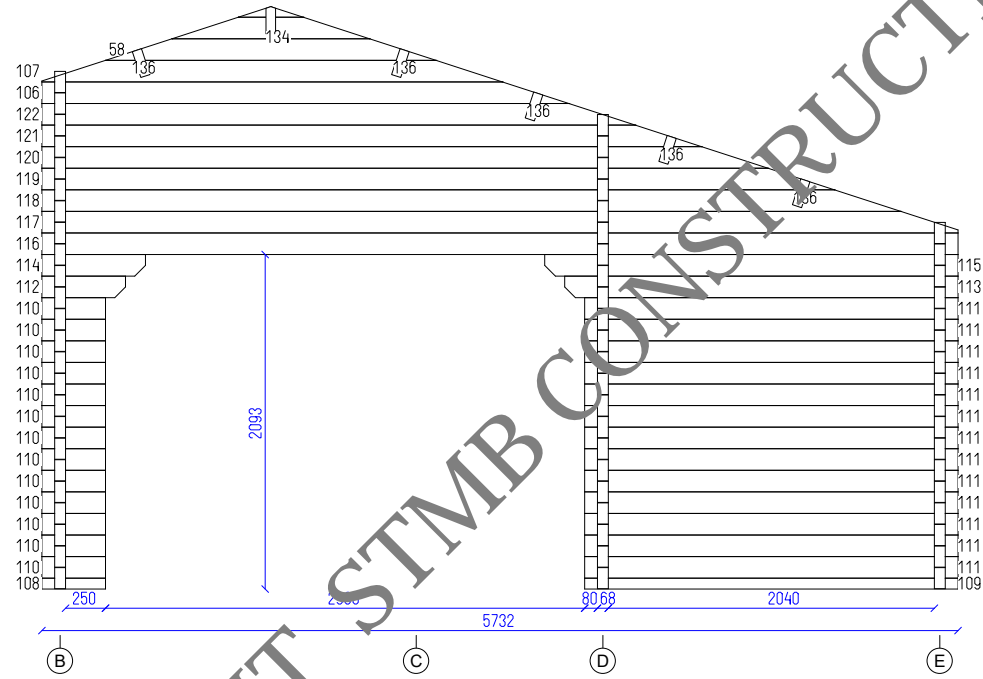


COPYRIGHT STIMB CONSTRUCTION



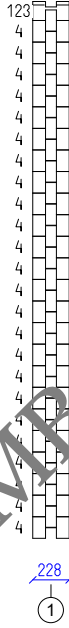
	DAX_68mm	
Wall 2	Sheet 9	Of 13

COPYRIGHT STMB CONSTRUCTION



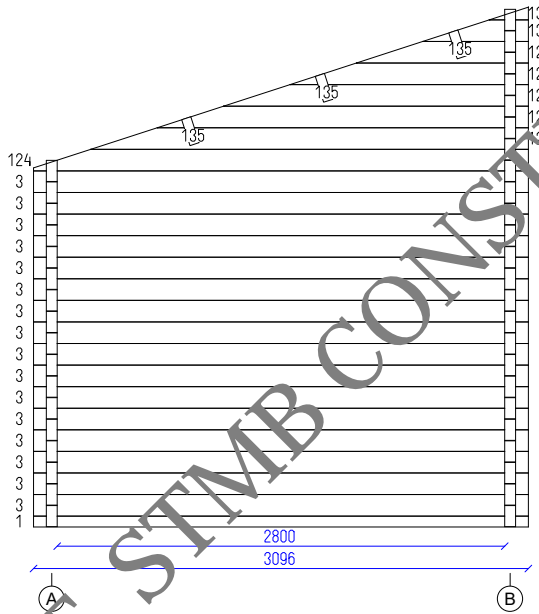
	DAX_68mm		
	Wall 4	Sheet 10	Of 13

COPYRIGHT STAB CONSTRUCTION



	DAX_68mm	
Wall C	Sheet 11	Of 13

COPYRIGHT STMB CONSTRUCTION



	DAX_68mm	
Wall 3	Sheet 12	Of 13



			DAX_68mm	
		Sheet	Of	
		13	13	

Lagiu planas

13

13