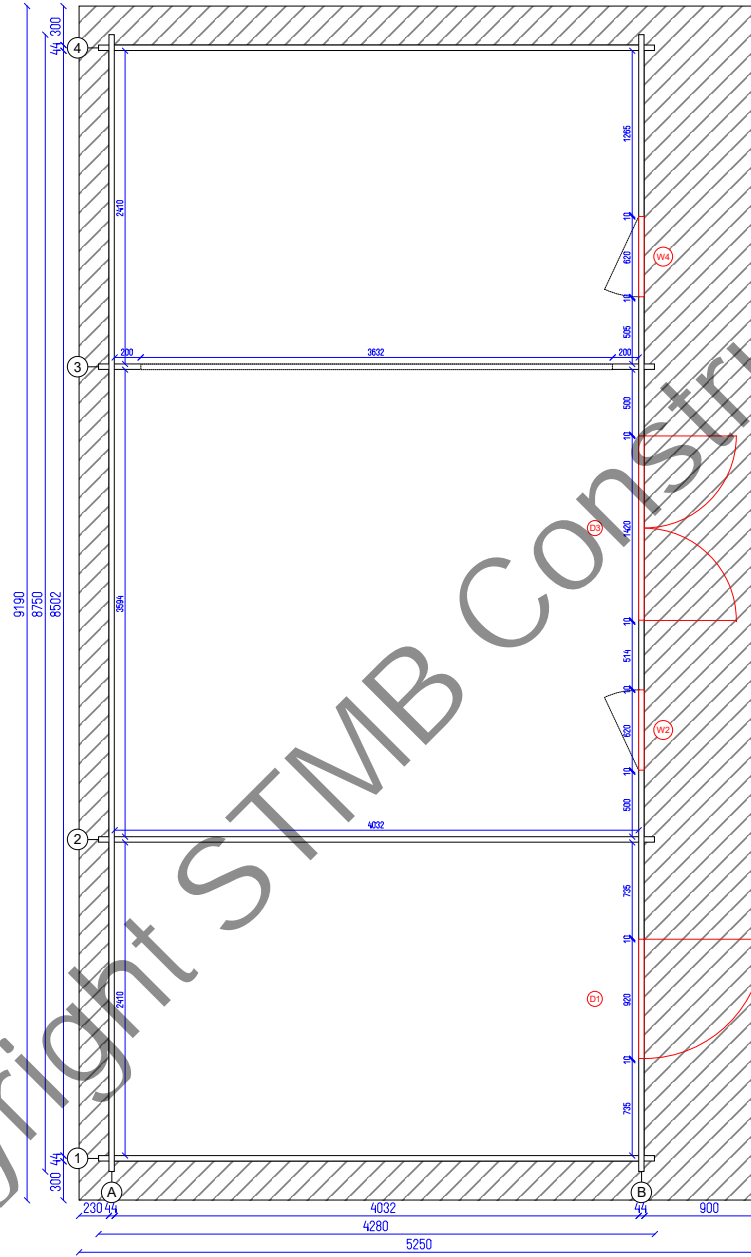




Copyright STMB Construction

Copyright STMB Construction

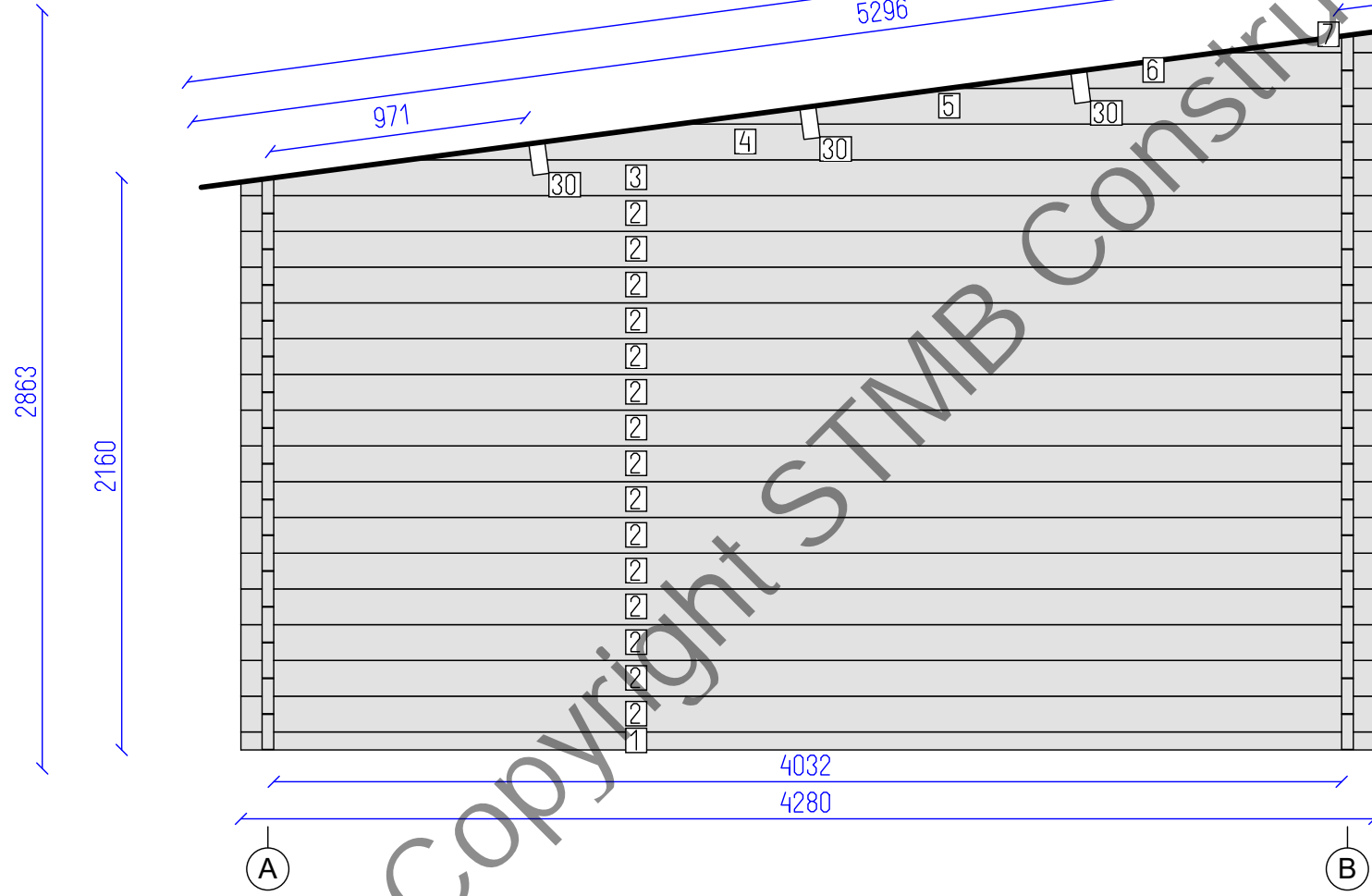


Baron 44

Ground plan

2
SHEET

9
OF



DETAILS

N	QTY
1	1
2	15
3	1
4	1
5	1
6	1
7	1
8	1
30	4

- LIST OF ELEMENTS**
1. Wall 68x44x4280
 2. Wall 135x44x4280
 3. Wall 135x44x4280
 4. Wall 135x44x3646
 5. Wall 135x44x2937
 6. Wall 135x44x2229
 7. Wall 135x44x1211
 8. Wall 25x44x192
 30. Roof beam 150x70x3054
- Total 12.73 m²

Baron 44

Wall 1

3	9
SHEET	OF

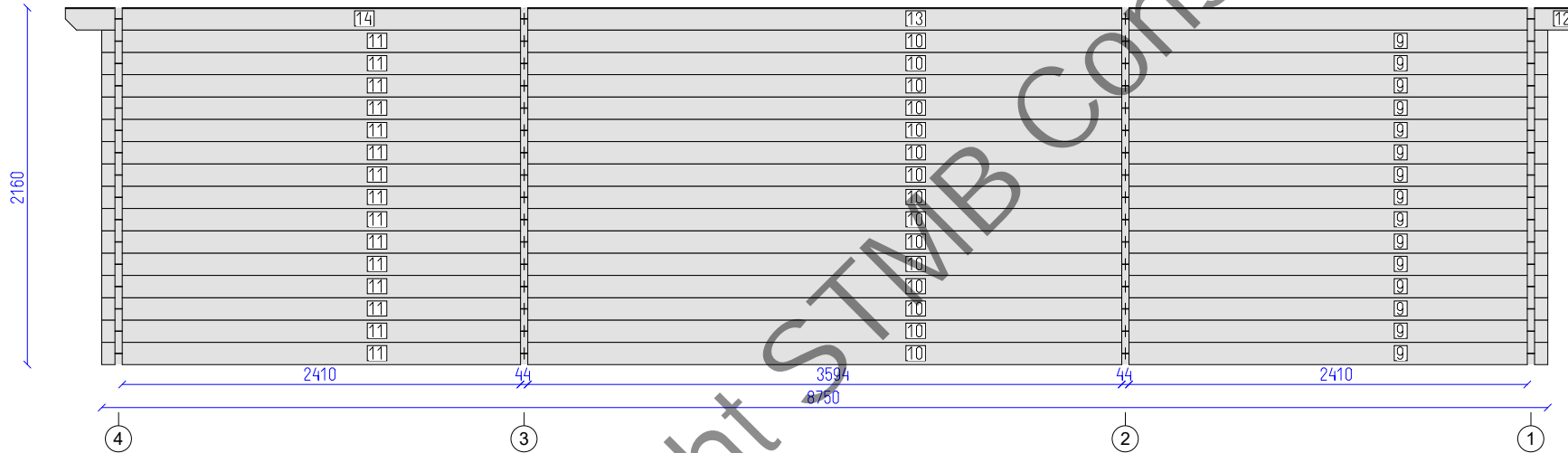


DETAILS

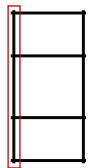
N	QTY
9	15
10	15
11	15
12	1
13	1
14	1

LIST OF ELEMENTS

- 9. Wall 135x44x2556
 - 10. Wall 135x44x3638
 - 11. Wall 135x44x2556
 - 12. Wall 135x44x2776
 - 13. Wall 135x44x3638
 - 14. Wall 135x44x2776
- Total 18.96 m²



Copyright S.T.M.B. Construction



Baron 44

Wall A

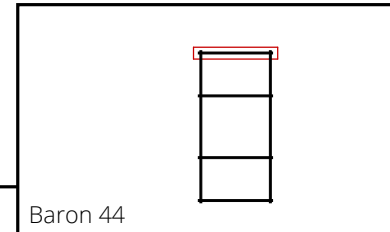
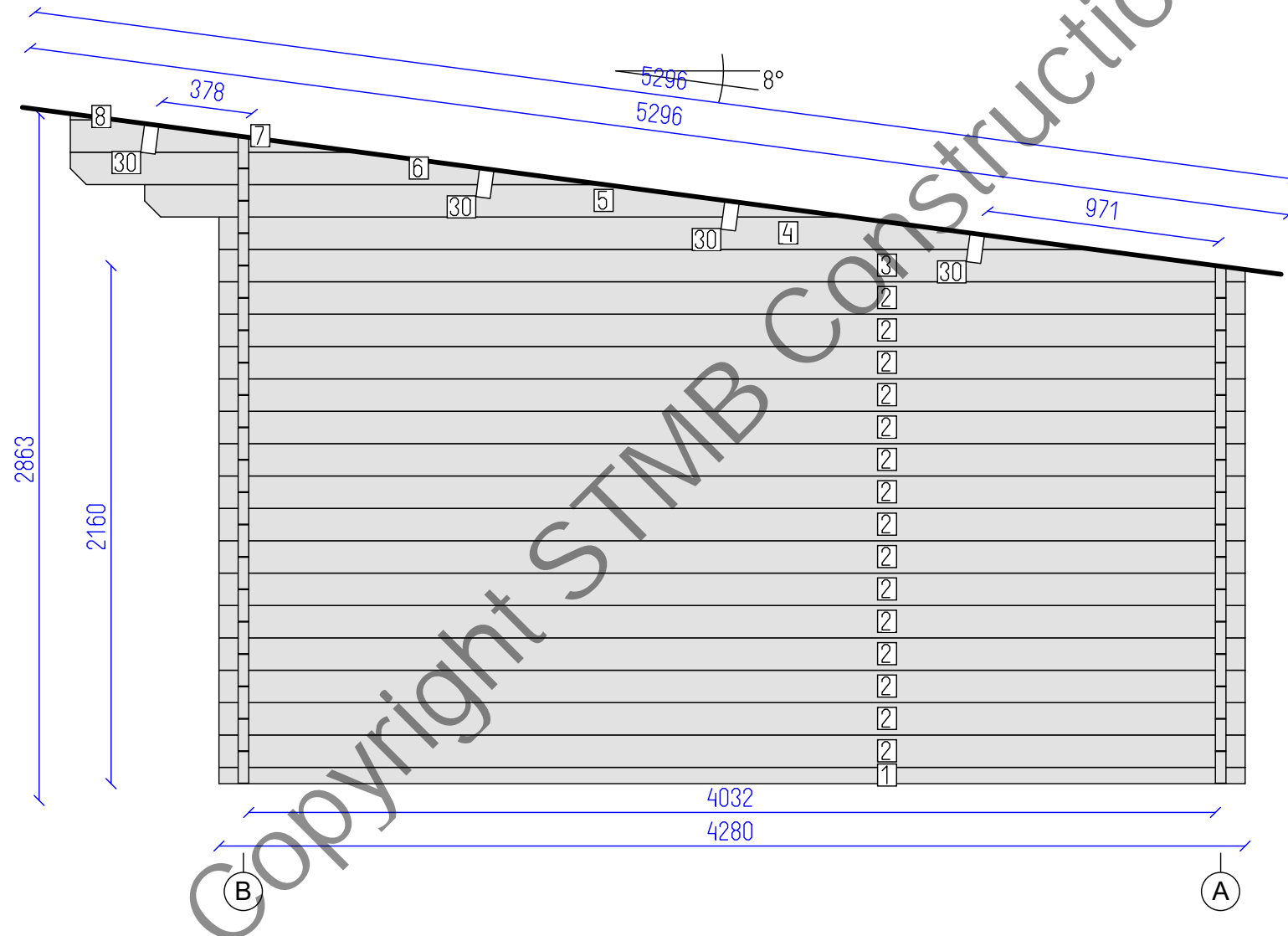


DETAILS

N	QTY
1	1
2	15
3	1
4	1
5	1
6	1
7	1
8	1
30	4

LIST OF ELEMENTS

1. Wall 68x44x4280
 2. Wall 135x44x4280
 3. Wall 135x44x4280
 4. Wall 135x44x3646
 5. Wall 135x44x2937
 6. Wall 135x44x2229
 7. Wall 135x44x1211
 8. Wall 25x44x192
 30. Roof beam 150x70x3054
- Total 12.73 m²



Baron 44

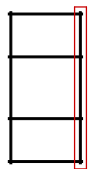
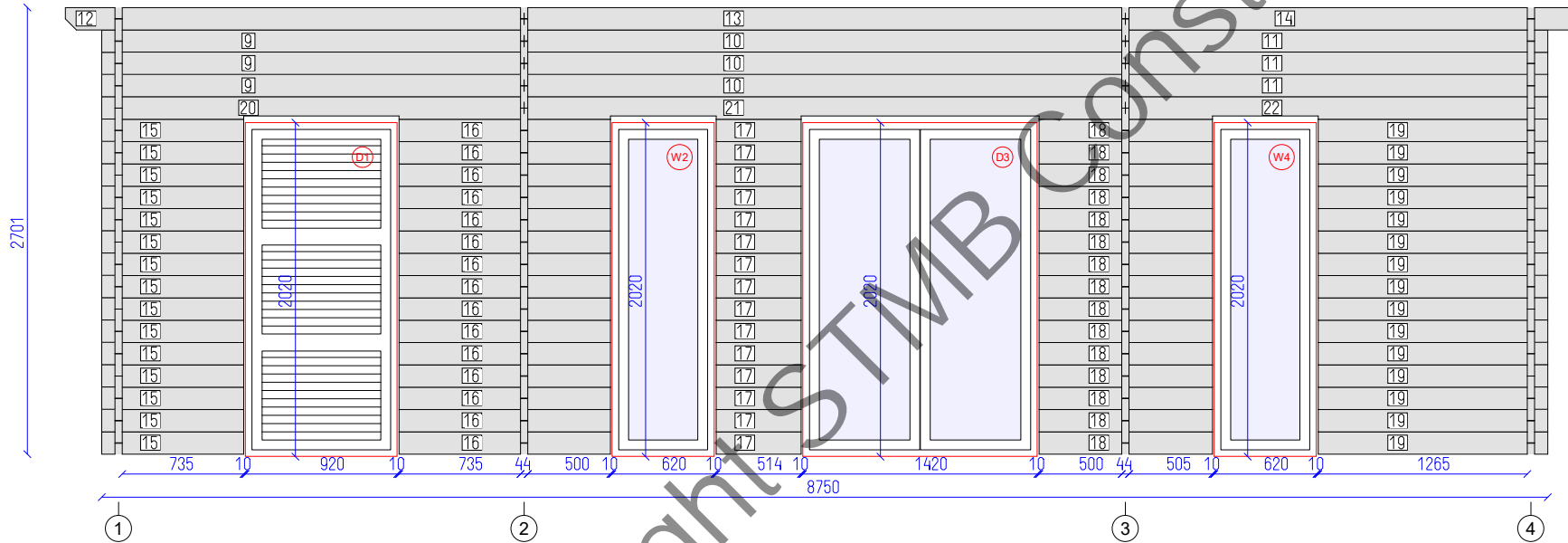
Wall 4

DETAILS

N	QTY
15	15
16	15
17	15
18	15
19	15
20	1
21	1
22	1
9	3
10	3
11	3
12	1
13	1
14	1

LIST OF ELEMENTS

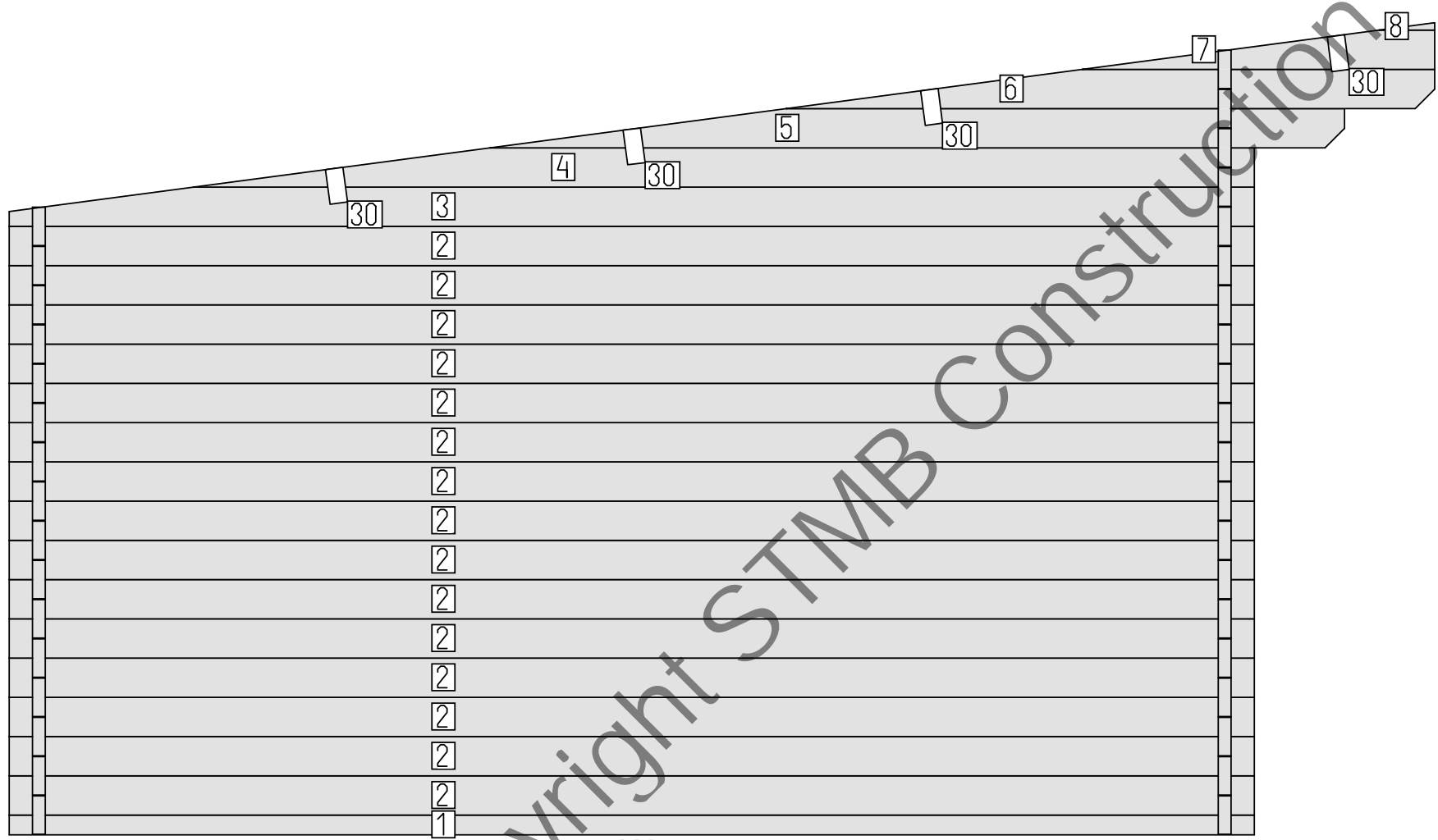
- 15. Wall 135x44x859
 - 16. Wall 135x44x1279
 - 17. Wall 135x44x514
 - 18. Wall 135x44x1049
 - 19. Wall 135x44x1389
 - 20. Wall 135x44x2556
 - 21. Wall 135x44x3638
 - 22. Wall 135x44x2556
 - 9. Wall 135x44x2556
 - 10. Wall 135x44x3638
 - 11. Wall 135x44x2556
 - 12. Wall 135x44x2776
 - 13. Wall 135x44x3638
 - 14. Wall 135x44x2776
- Total 16.27 m²



Baron 44

Wall B

6 SHEET OF 9

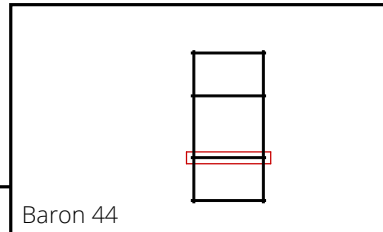
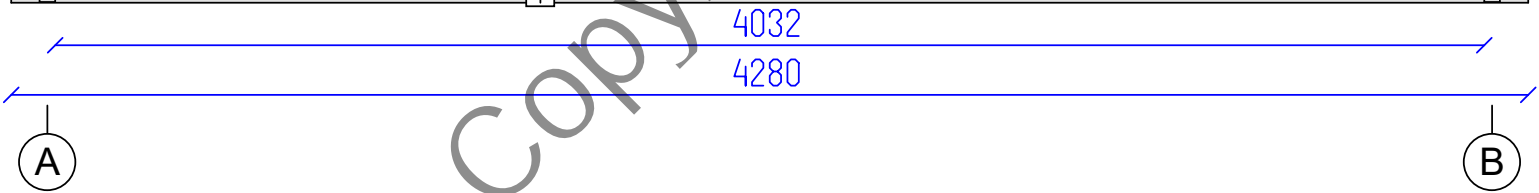


DETAILS

N	QTY
1	1
2	15
3	1
4	1
5	1
6	1
7	1
8	1
30	4

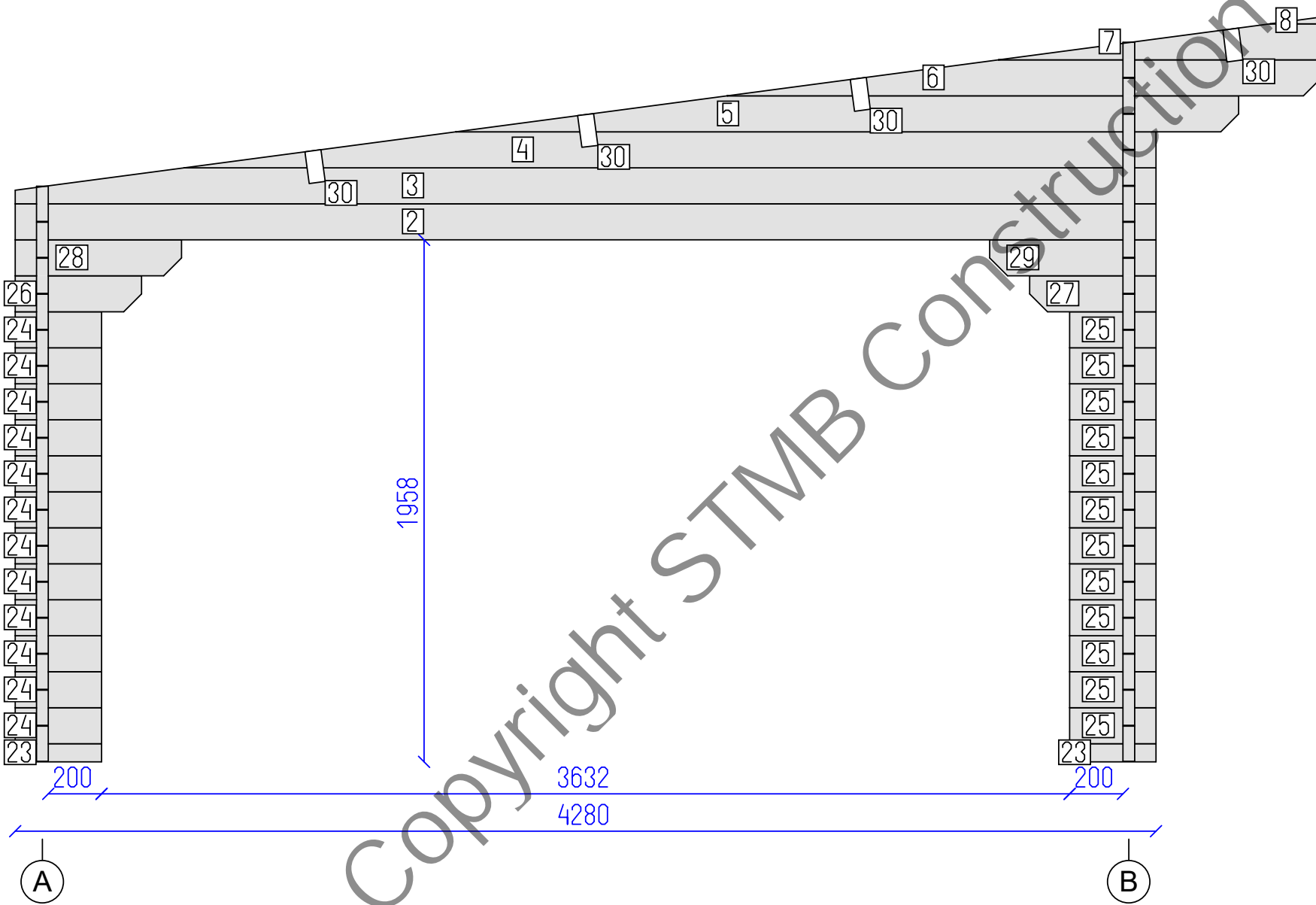
LIST OF ELEMENTS

- 1. Wall 68x44x4280
 - 2. Wall 135x44x4280
 - 3. Wall 135x44x4280
 - 4. Wall 135x44x3646
 - 5. Wall 135x44x2937
 - 6. Wall 135x44x2229
 - 7. Wall 135x44x1211
 - 8. Wall 25x44x192
 - 30. Roof beam 150x70x3054
- Total 12.73 m²



Baron 44

Wall 2

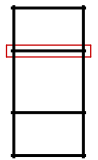


DETAILS

N	QTY
23	2
24	12
25	12
26	1
27	1
28	1
29	1
2	1
3	1
4	1
5	1
6	1
7	1
8	1
30	4

LIST OF ELEMENTS

- 23. Wall 68x44x324
 - 24. Wall 135x44x324
 - 25. Wall 135x44x324
 - 26. Wall 135x44x474
 - 27. Wall 135x44x474
 - 28. Wall 135x44x624
 - 29. Wall 135x44x624
 - 2. Wall 135x44x4280
 - 3. Wall 135x44x4280
 - 4. Wall 135x44x3646
 - 5. Wall 135x44x2937
 - 6. Wall 135x44x2229
 - 7. Wall 135x44x1211
 - 8. Wall 25x44x192
 - 30. Roof beam 150x70x3054
- Total 5.74 m²

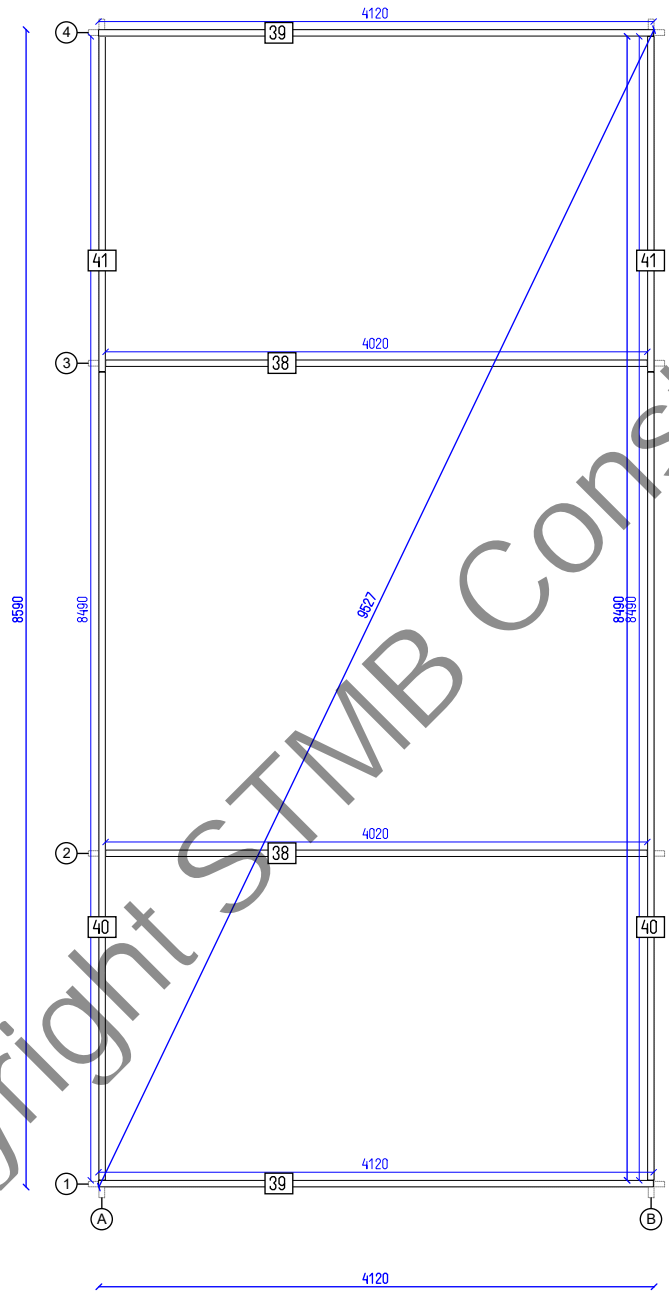


Baron 44

Wall 3



Copyright S.T.M.B. Construction



Baron 44

Base plan

9
SHEET

9
OF